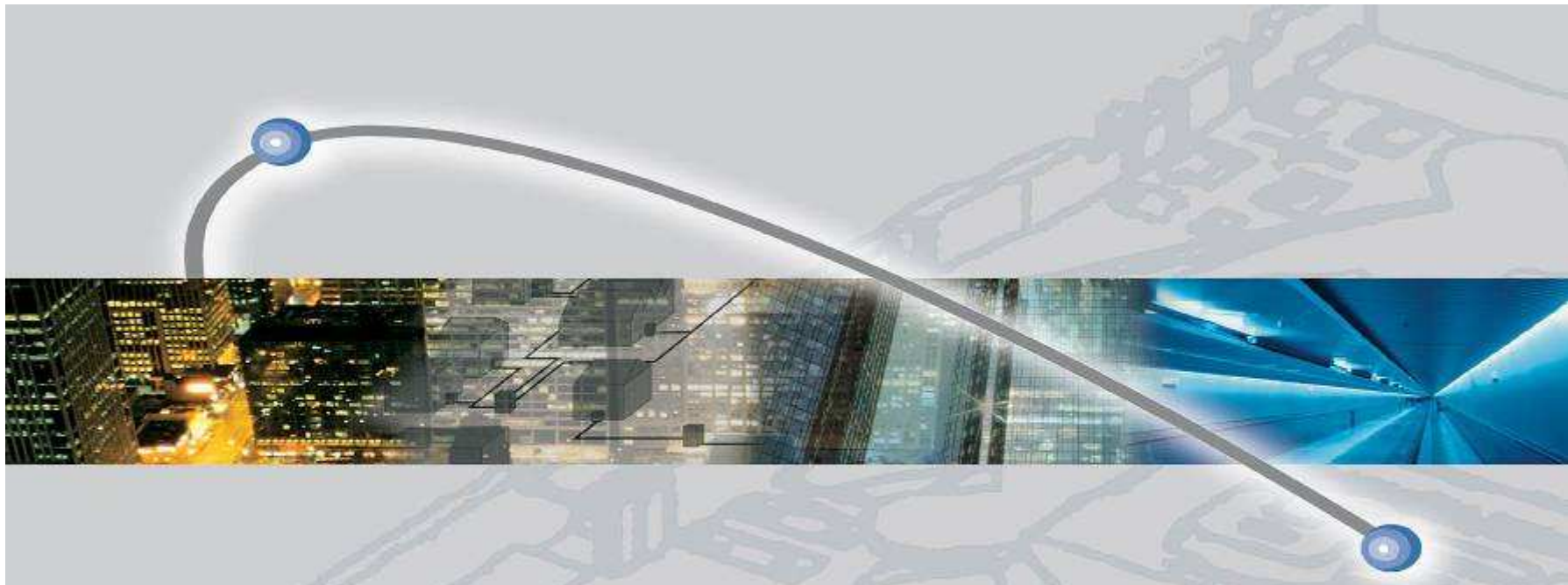
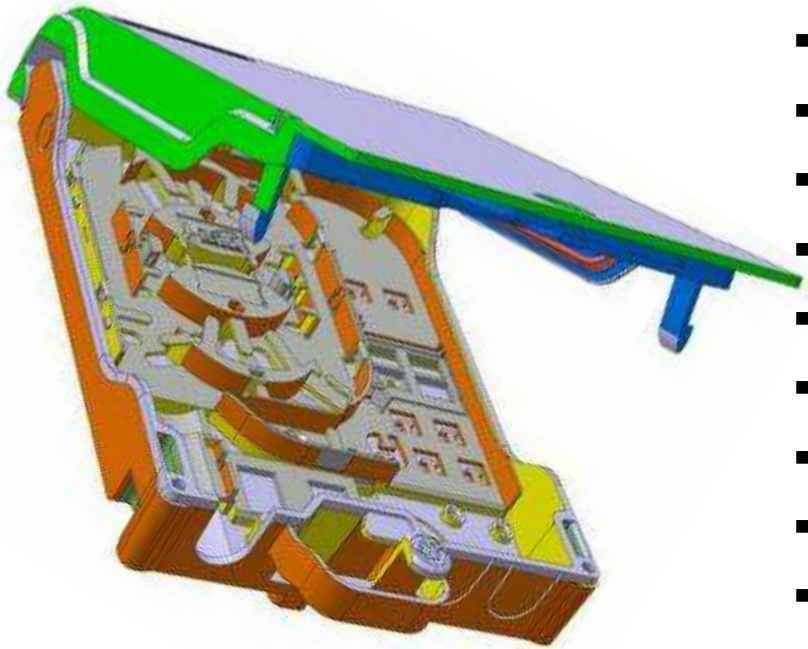


OptiBox4 / OptiBox4i



main features: OptiBox4 / OptiBox4i



OptiBox4 / OptiBox4i

- for FTTH, FTTA, or industrial applications
- straightforward mounting splicing and patching box
- functionally and shapely designed, compact dimensions
- for loose tube cables or MicroDuct applications
- lockable with key
- temperature resistant plastics (-46°C up to +81°C)
- mounted on walls or poles
- protection class IP30/54/67
- UV light resistant enclosure
- complies to EN50411-3-1

parts summary: OptiBox4

clip-on cover

with or without lock

cover additionally lead-sealable

Fiber Management Tray (Fiber Inlay)

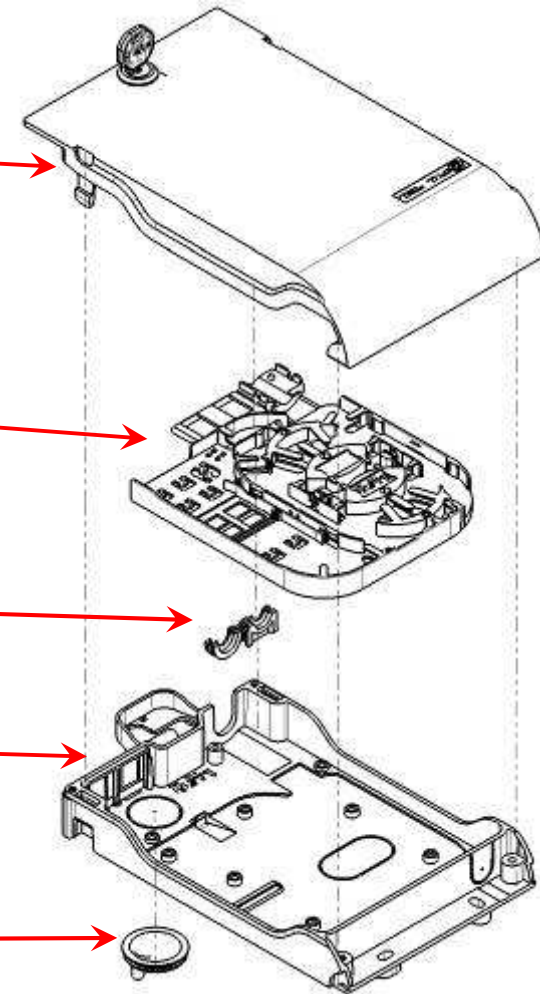
latching or removing

hinged half-shell cable grommets

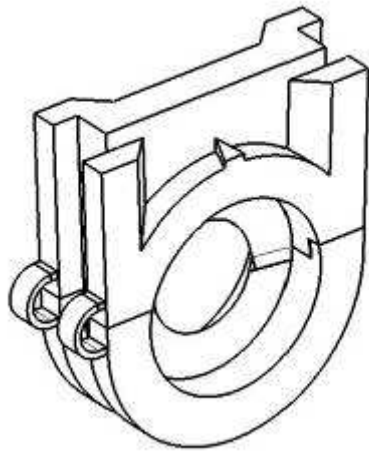
OptiBox4 base part

low side walls increases straightforward mounting

trumpet cable grommet

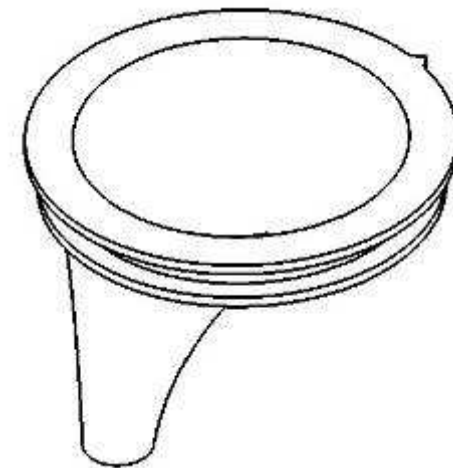


parts summary: OptiBox4 cable seals



- **hinged half-shell cable grommets**
seals cable or MicroDuct entries
3 sizes: 3 – 5mm / 6 – 8mm / 9 – 12mm
no slipping over cable

- **trumpet cable grommet**
seals cable exit through OptiBox4 base part
various cable diameter possible because of V-shaped exit
radius protected cable exit (30mm)



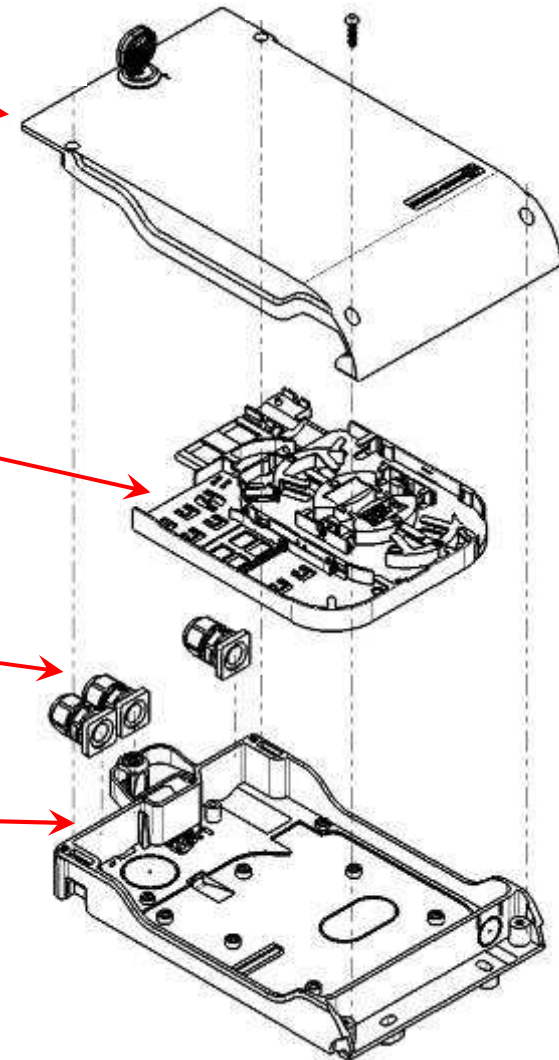
parts summary OptiBox4i

screwed on cover
with or without lock
cover additionally lead-sealable
„captive“ screws

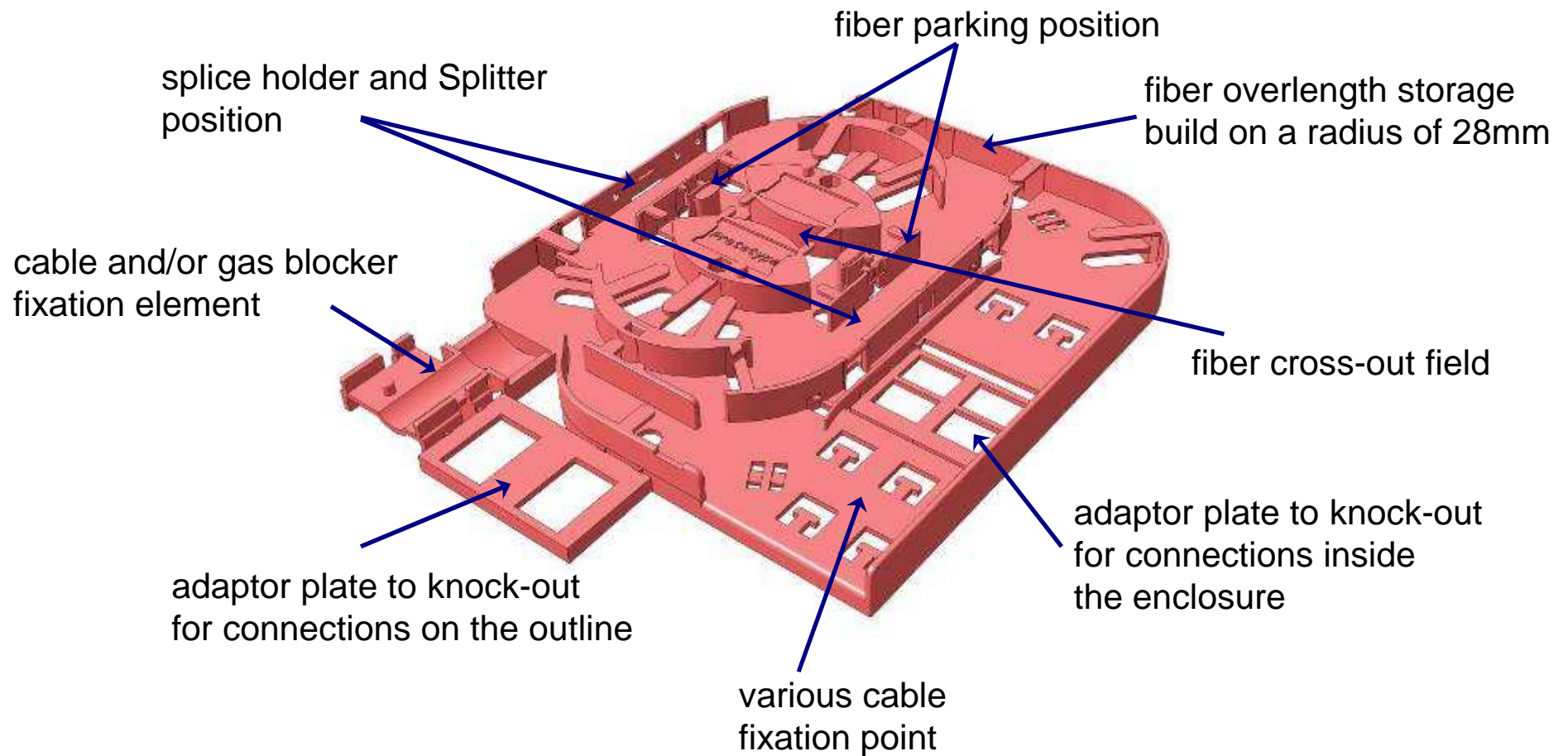
Fiber Management Tray (Fiber Inlay)
latching or removing

Polyamide cable glands M16
cable diameter 5.5 – 10mm

OptiBox4i base part
low side walls increases straightforward mounting



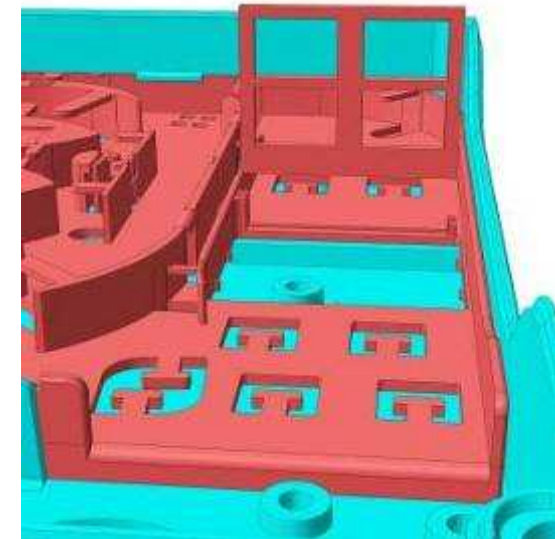
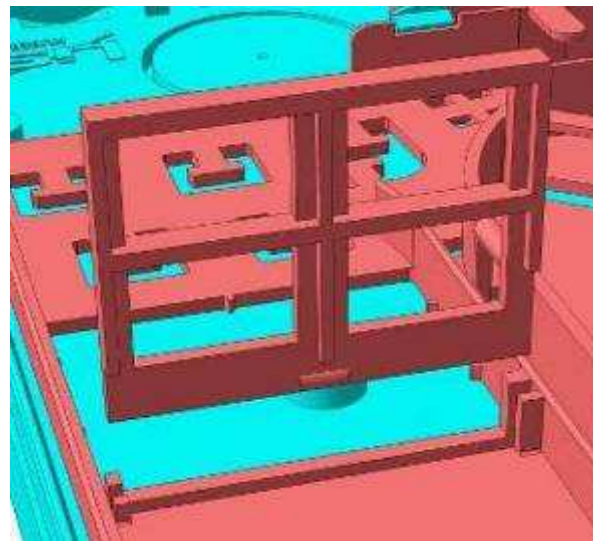
Fiber Management tray features



Adaptor field features

Adaptor field inside positioned:

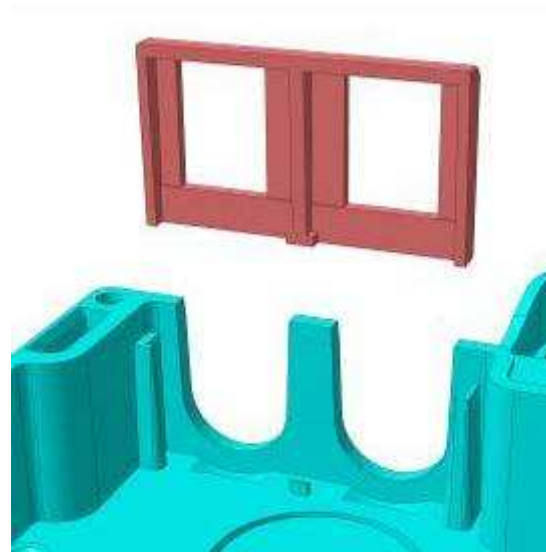
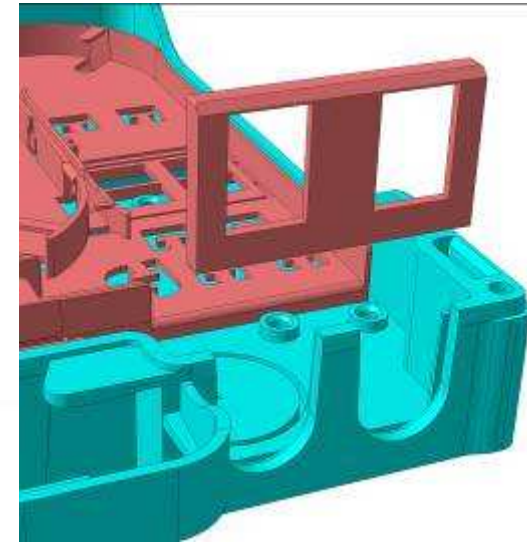
- for 4x SC-Simplex, E-2000™-Simplex, LX.5-Duplex, LC-Duplex Adaptor
- removable for later-on changing or cleaning of connectors
- to knock-out of Fiber Inlay



Adaptor field features

Adaptor field on outline positioned:

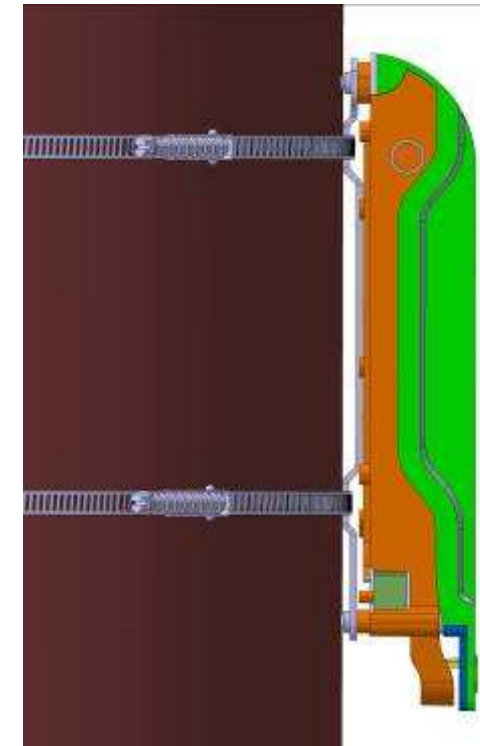
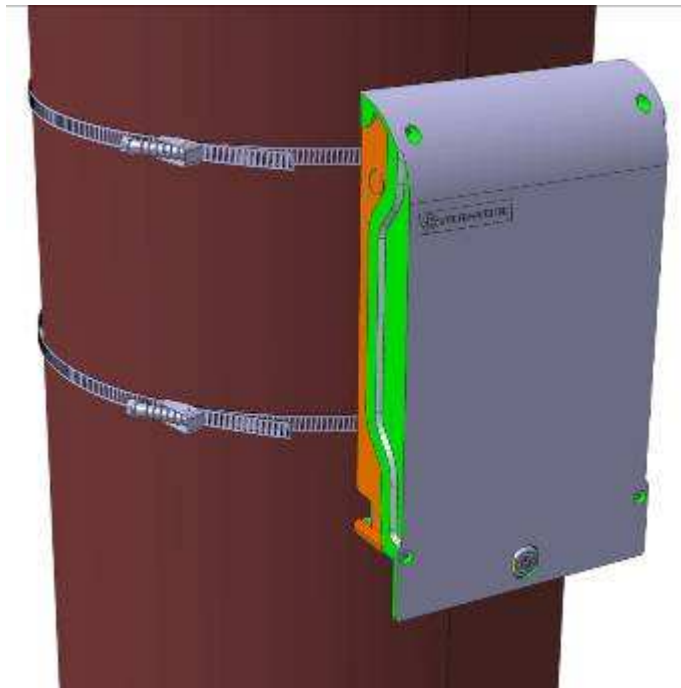
- for 4x SC-Simplex, E-2000™-Simplex, LX.5-Duplex, LC-Duplex Adaptor
- removable for later-on changing or cleaning of connectors
- to knock-out of Fiber Inlay
- fits into U-shaped cut-out



OptiBox4 / OptiBox4i

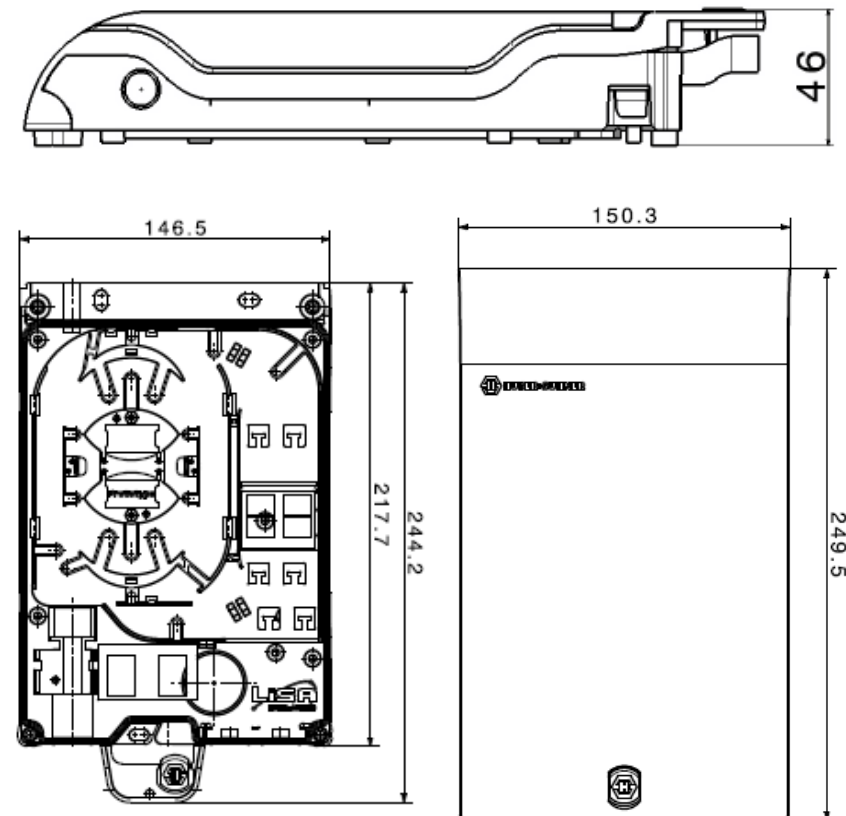
simple mounting on poles:

- quick hose clamps
- 2 sizes: Ø 155mm, Ø 500mm
- for OptiBox4 and OptiBox4i
- captive cover



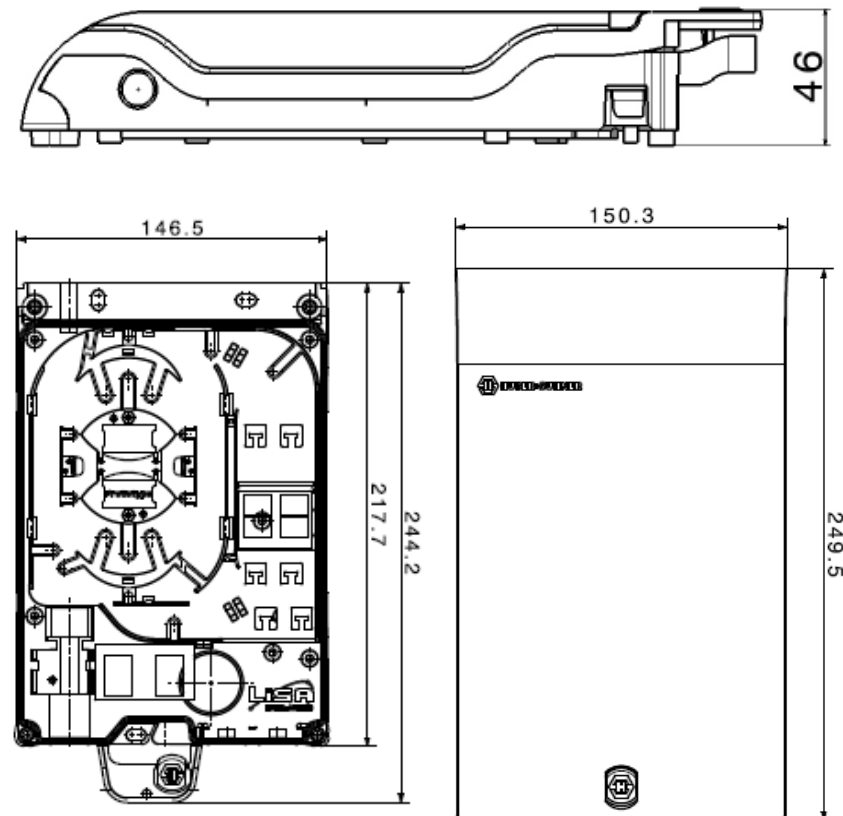
Technical Details: OptiBox4

- Dimension: 150x250x46mm
- Protection class: IP 30/54
- Impact class: IK08
- Material: PC, PC/ABS
- Flammability rating: UL 94V-0
- UV resistance: resistant
- Free of halogen: yes
- colours:
 - cover, base part RAL 9016 (traffic white)
 - Fiber-Inlay RAL 9002 (grey white)
 - sealing grommets RAL 9005 (jet black)



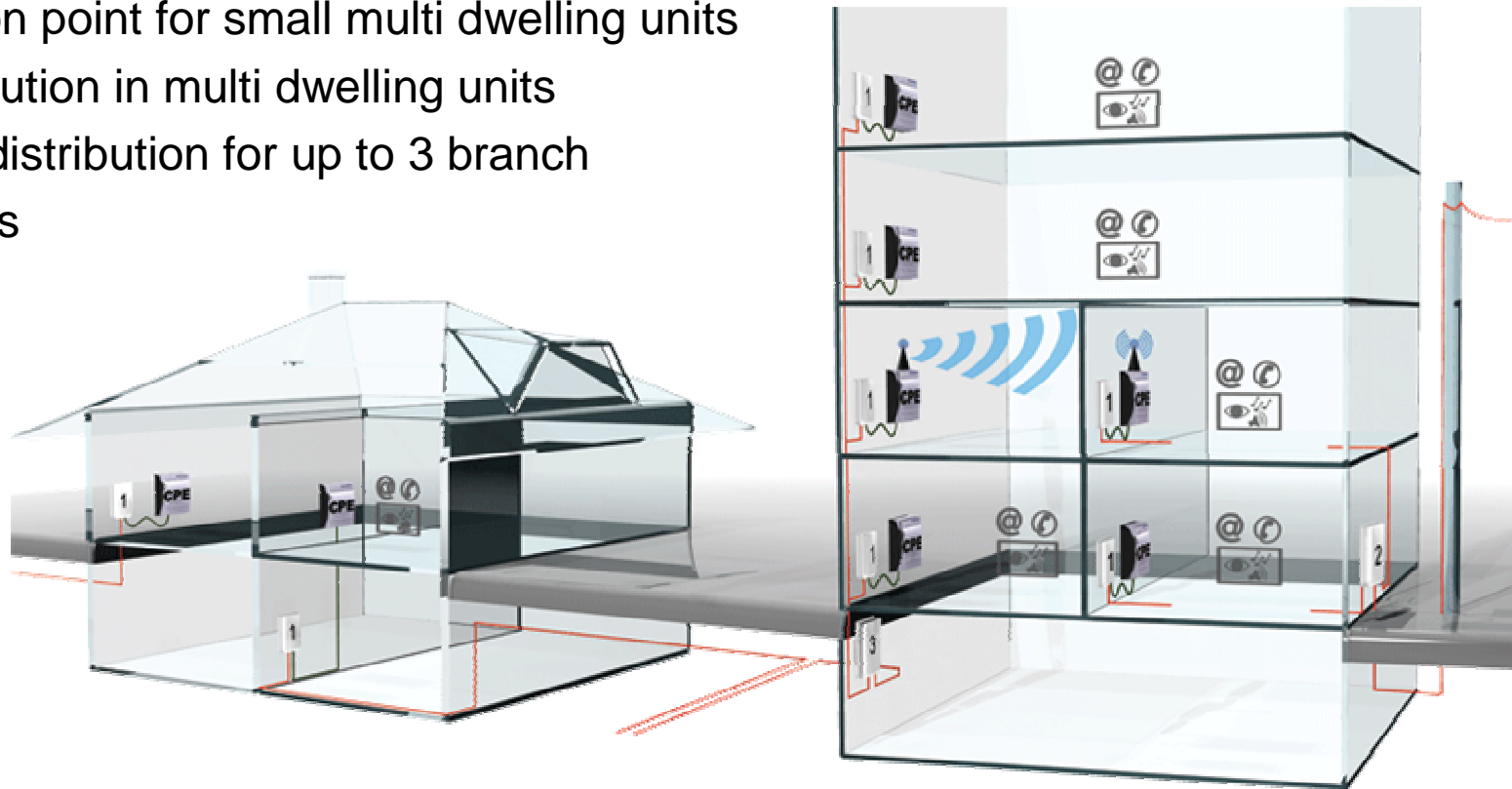
Technical Details : OptiBox4i

- Dimension: 150x250x46mm
- Protection class: IP 67
- Impact class: IK08
- Material: PC, PC/ABS
- Flammability classification: UL 94V-0
- UV resistance: resistant
- Free of halogen: yes
- colours:
 - cover, base part RAL 7024 (graphite grey)
 - Fiber-Inlay RAL 9002 (grey white)
 - polyamide cable glands RAL 9005 (jet black)



applications OptiBox4 (Telecom)

- demarcation point for single family homes
- demarcation point for small multi dwelling units
- floor distribution in multi dwelling units
- Star point distribution for up to 3 branch connections



MicroDuct blow-in system applications



Excellence in Connectivity Solutions

blow-in system:

- Micro cable splices onto pigtail
- Micro cable spliced onto cable

sealing:

- Gas blockers of various brands
- Water blockers of various brands



product presentation

Product Management LiSA

MicroDuct blow-in system applications



MASTERLINE Push-Fit:

- field mountable micro-cable system
- up to 8 fibers assembled on connectors
- mix of connections or splices
(cascading of boxes is possible)



Pre-assembled cable system applications



MASTERLINE quick:

- pre-assembled or field mountable loose tube cable system
- up to 8 fibers assembled on connectors
- mix of connections and splices (cascading of boxes is possible)



Splitter application



Splitter solution:

- fibers on connectors / pigtails
- fiber to fiber splicing
- mix of connections and splices (cascading of boxes is possible)

Capacity:

- 1x 1:8 PLC-Splitter
- 2x 1:4 PLC-Splitter
- 3x 1:2 FBT-Splitter



Splicing cable to cable



Conventional cable installation:

- fibers on connectors / pigtails
- fiber to fiber splicing
- mix of connections and splices (cascading of boxes is possible)



Mini street cabinet application



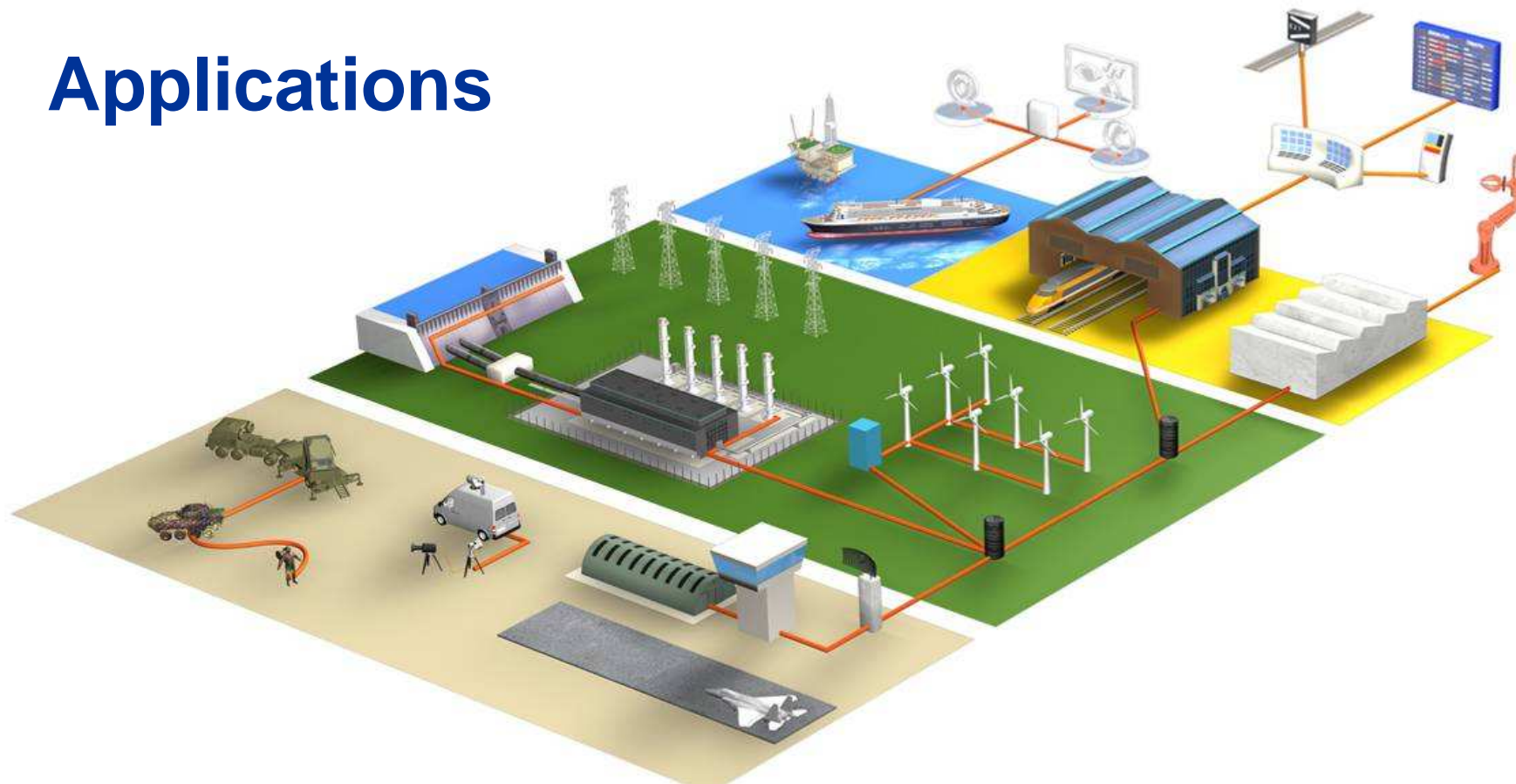
OptiBox4i:

- Increased mechanical protection with metal enclosure / pillar
- Cable overlength is securely stored in enclosure
- MicroDuct blow-in system or conventional cable installations
- Splicing of cable to cable



OptiBox 4i for Industry

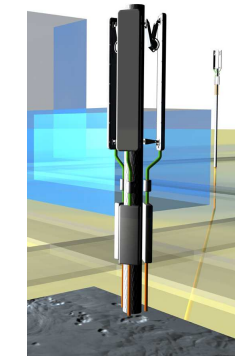
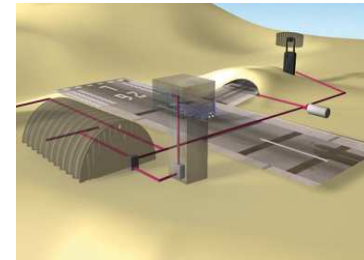
Applications



OptiBox 4i - the Box for Industry applications

Application segments:

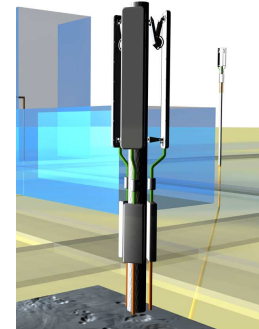
- Infrastructure (airports, harbours, railway stations, bridges, factories, ...)
- Wind turbines
- Surveillance
- Automation and Machinery
- Traffic-control systems
- Broadcast
- Ships
- Oil- and gas platforms
- Mobile communication (FTTA)



OptiBox 4i - the Box for Industry applications

Cabling of:

- Cameras
- Displays
- Antennas resp. „Remote Radio Heads“ or „Access Points“
- Sensors
- Actuators
- Subsystem (device, switch, etc.)

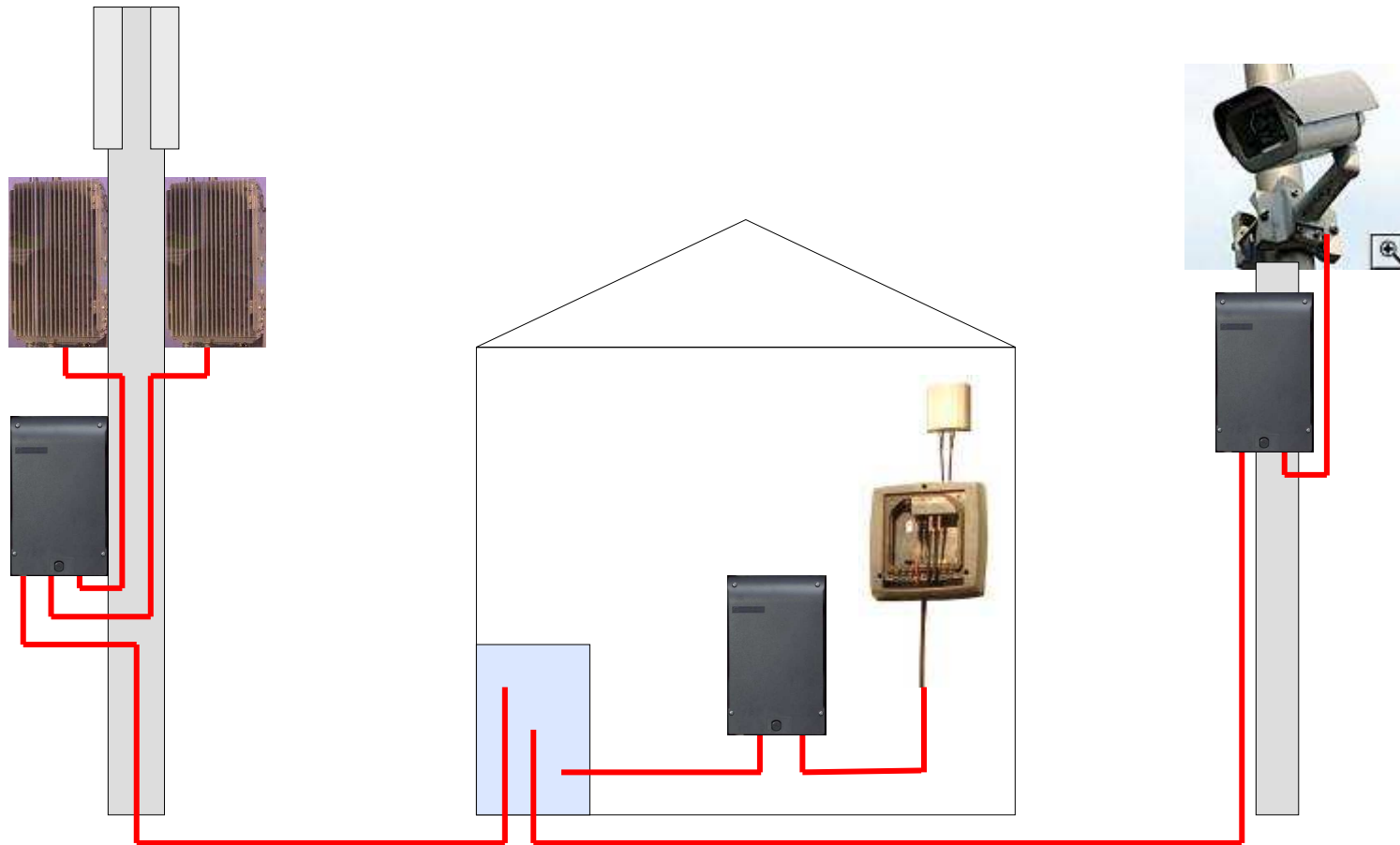


Termination/Distribution point for:

- Communication networks
- Measurement and control networks
- Mobile Communication (FTTA)



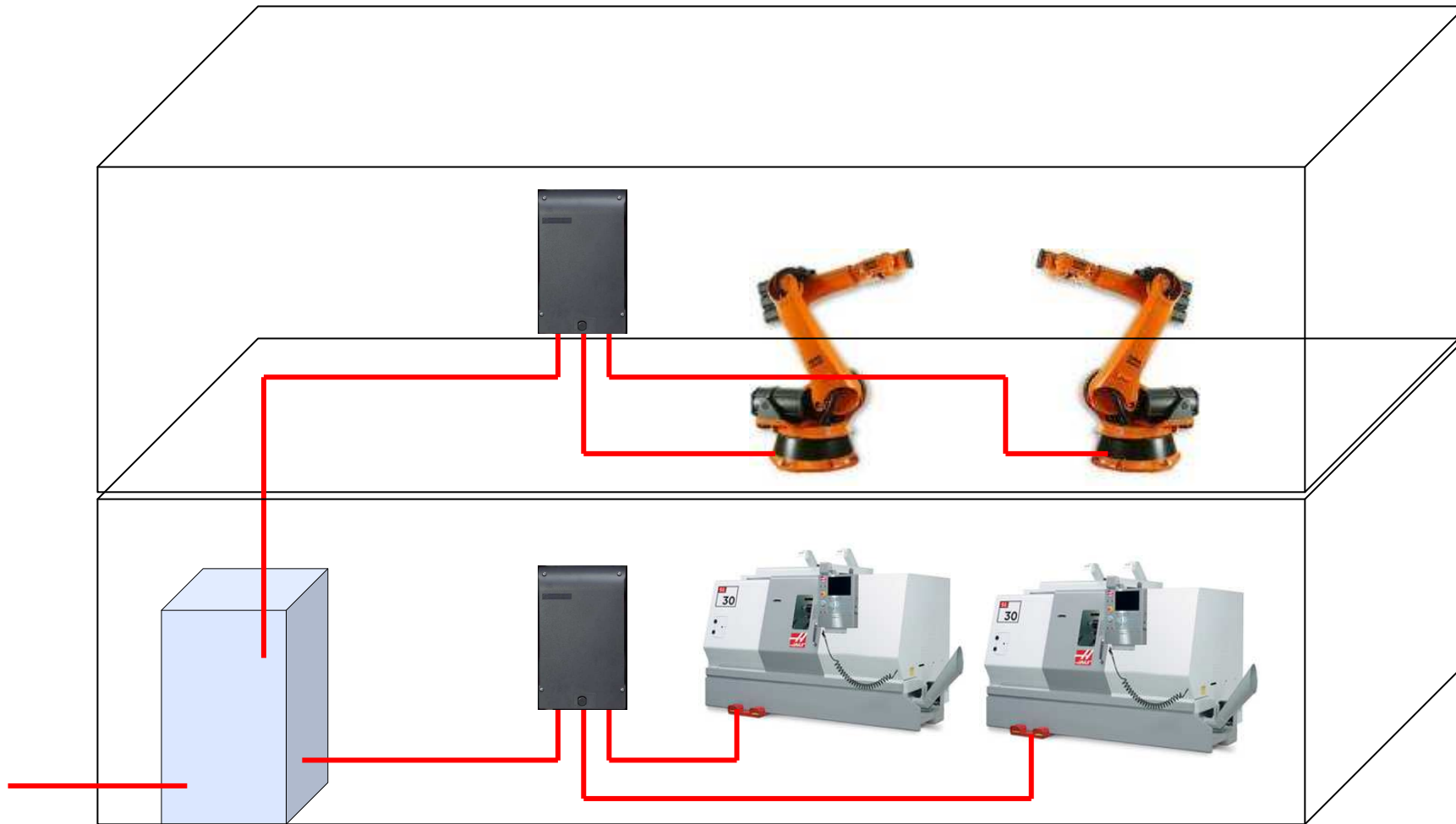
OptiBox 4i - Example Antennas/Camera



OptiBox 4i - Example Displays/Sensors



OptiBox 4i - Example Factory



hubersuhner.com/lisa

